

FELD®

Shift
Low Table
Alain Berteau





Shift

Alain Berteau

Shift is a system of consoles, desks and tables.

Merging cabinetmaking and ultramodern digital cutting with durable panels resulted in a unprecedented collection, answering to any home and office needs. Shift features convenient hidden drawers and a structural beam for cable management.

The furniture is flat packed and is easily assembled.

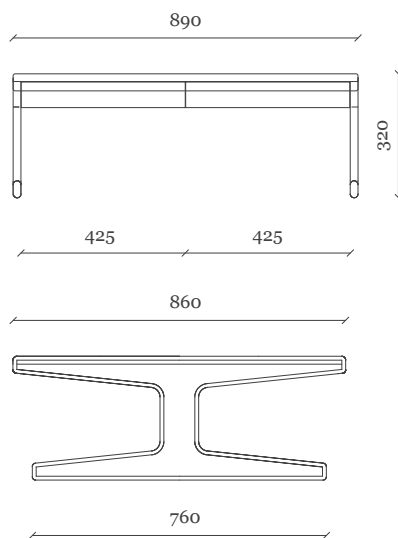
—

Low Table (4 drawers)

Use: Indoor

Materials: HPL Panels

Finishes: Lacquered



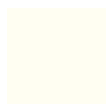
Colours (Can differ from real samples)



RAL 3001



RAL 9005



RAL 9010



NCS 6502-B



NCS 7005-Y20R



Shift

Alain Berteau

Shift is a system of consoles, desks and tables.

Merging cabinetmaking and ultramodern digital cutting with durable panels resulted in a unprecedented collection, answering to any home and office needs. Shift features convenient hidden drawers and a structural beam for cable management.

The furniture is flat packed and is easily assembled.

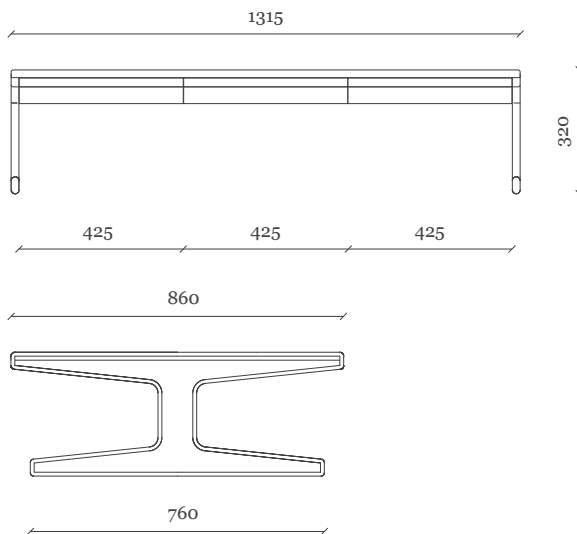
—

Low Table (6 drawers)

Use: Indoor

Materials: HPL Panels

Finishes: Lacquered



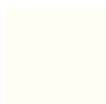
Colours (Can differ from real samples)



RAL 3001



RAL 9005



RAL 9010



NCS 6502-B



NCS 7005-
Y20R