

FELD®

Monarchy
Stool
Yiannis Ghikas



reddot design award
winner 2009



Monarchy

Yiannis Ghikas

Monarchy is a stool, it is a rocking stool.

It rocks sideways and it rocks back and forth. Monarchy also swivels.

Monarchy is designed not to be overturned but at the same time allows the user to escape the dullness of the ultimate stability.

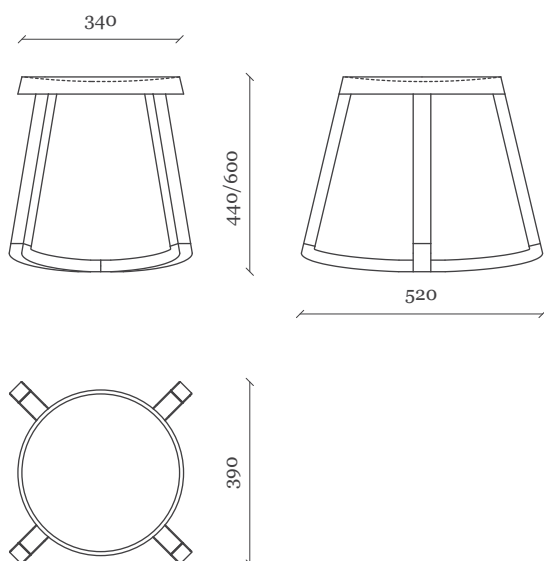
--

Stool

Use: Indoor

Materials: Beech or Oak

Finishes: Lacquered, Varnished or Stained



RAL 3001



RAL 6018



RAL 9005



RAL 9010



Beech



Oak



Stained Oak